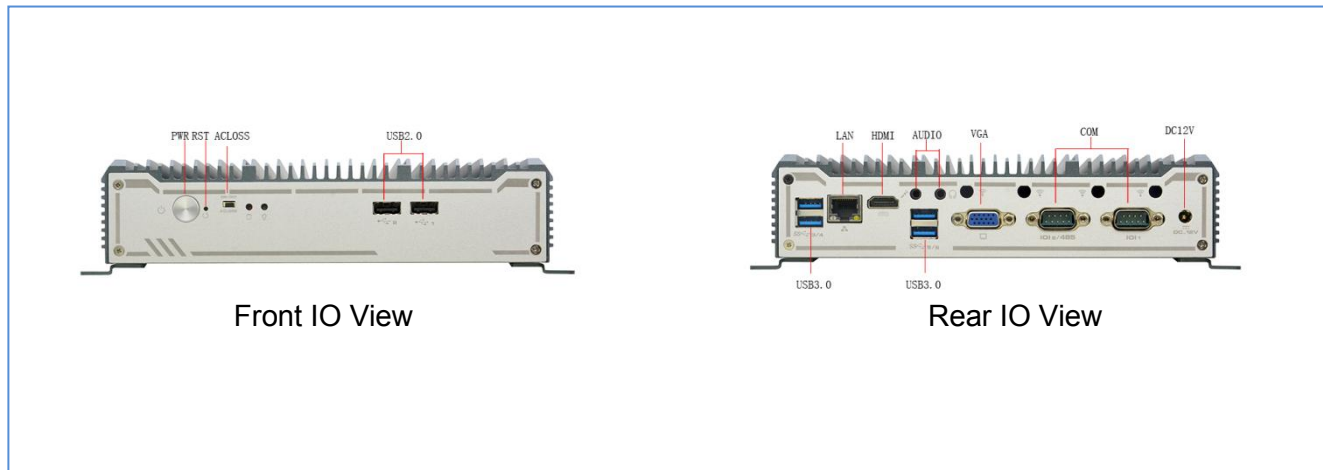
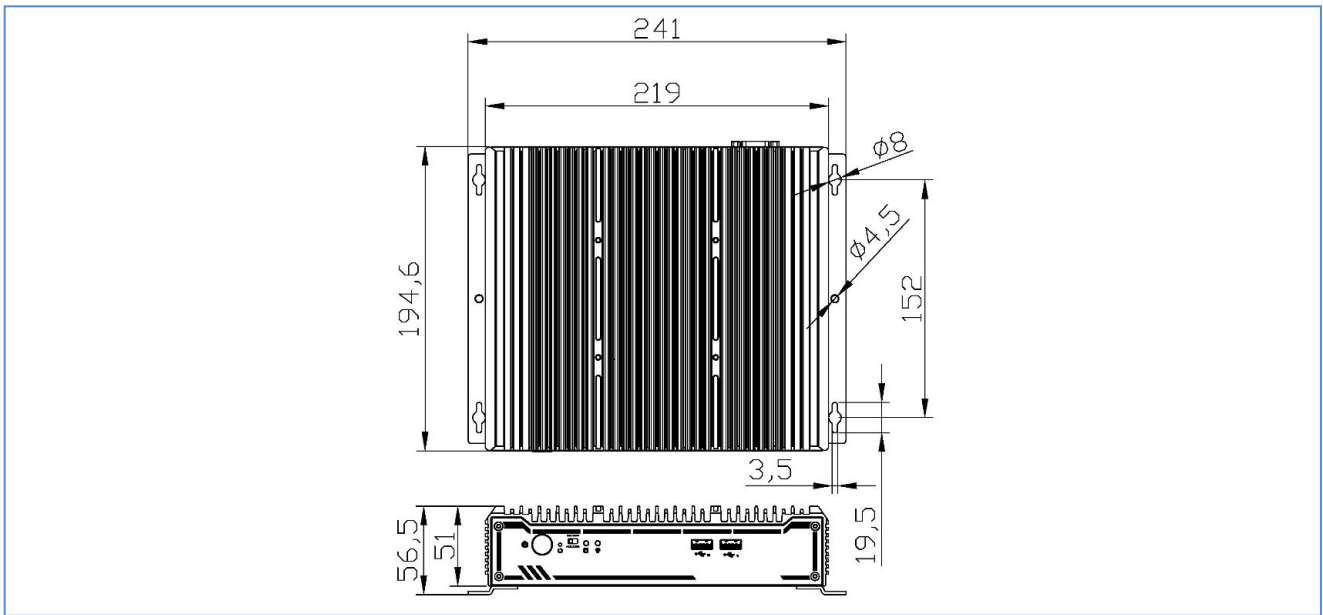




Features

- Onboard Intel i5-1135G7/2.4GHz quad Core processor
- 2*SODIMM DDR4 3200MHz memory, up to 64GB
- 1*HDMI + 1* VGA
- 1*Intel I225V 2.5G Gigabit Ethernet
- 4*USB3.0, 2*USB2.0
- 2*RS232 (1*RS485)
- DC 12V
- Aluminum case, fanless design

Model No.	C3020S-C2	
Chassis	Material/Structure	Aluminum case, fanless design
	Color	Iron gray + silver I/O plate
	Dimension	219*195*51MM
	Net Weight	2.1KG
	Installation	Desktop
Motherboard	CPU	Onboard Intel® i5-1135G7/2.4GHz quad Core 8-Thread processor, TDP 28W
	Graphics	Integrated Intel Iris Xe Graphics
	Memory	2* SODIMM DDR4 3200MHz, up to 64GB
Front I/O Port	Power Button	1*Power button, 1*Reset button, 1*AC LOSS switch (electric auto power ON/OFF)
	LED	1* Power LED, 1*HDD LED
	USB	2*USB2.0
Rear I/O Port	Display	1*VGA , 1*HDMI
	COM	2*DB9 RS232 COM port, COM2 RS485 selectable, COM1/2 support the 9th pin 5V/12V
	LAN	1*Intel I225V 2.5G Ethernet
	USB	4*USB3.0
	AUDIO	1*Line-out , 1*mic
	Power	1*DC 12V
Storage	SATA	1*2.5" SATA port
	MSATA	1*MSATA slot, transfer speed up to 6Gbps
Expansion	M.2	1*M.2/WiFi , Key-E ,2230 , support WiFi module
		1*M.2/5G , Key-B,2242/2252 , support 5G module
OS Support	Microsoft	Windows 10/11 IoT
	Linux	Ubuntu
Power Supply	Power Type	External power adaptor
	Voltage Input	DC 12V
Environment	Working Temp.	-10°C ~ 50°C
	Storage Temp.	-20°C ~ 70°C
	Relative Humidity	5%-95% relative humidity, non-condensing
	Vibration	0.5g rms/5-500HZ/random/operating



Order Information

No.	Model	CPU	Memory	Motherboard	IO Board	MSATA	LAN	COM	HDMI	VGA	USB	power
1	C3020S-C2 V1.0(3210M)	i5-3210M/2.5G	1*SODDDR3	K32	K32-C2	1	1	2	1	1	6	DC12V
2	C3020S-C2 V1.0(8257U)	i5-8257U/1.4G	2*SODDDR4	K81	K32-C2	1	1	2	1	1	6	DC 12V
3	C3020S-C V1.0(5205U)	5205U/1.90G	2*SODDDR4	K100	K32-C2	1	1	2	1	1	6	DC 12V
4	C3020S-C2 V1.0(1135G7)	i5-1135G7/2.4G	2*SODDDR4	K110	K32-C2	1	1	2	1	1	6	DC 12V