



# C3020S-L6(1135G7)

Intel 11<sup>th</sup> Gen i5-1135G7 Fanless  
Industrial PC, 2\*RS232 6\*LAN



## Features

- Onboard Intel®i5-1135G7/2.4GHz quad Core CPU
- 2\* SODIMM DDR4 slot, 3200MHz, up to 64GB
- 1\* HDMI
- 6\* Intel I211AT Gigabit Ethernet
- 2\* USB3.0, 2\*USB2.0
- 1\* DB9 RS232, 1\*Console RS232
- DC 12V
- Full aluminum case, fanless design

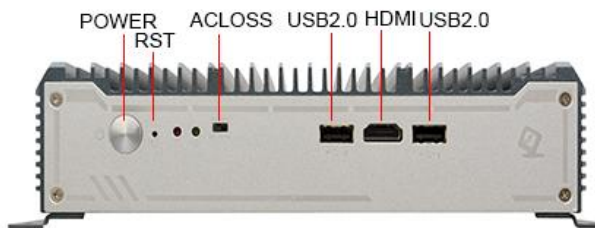
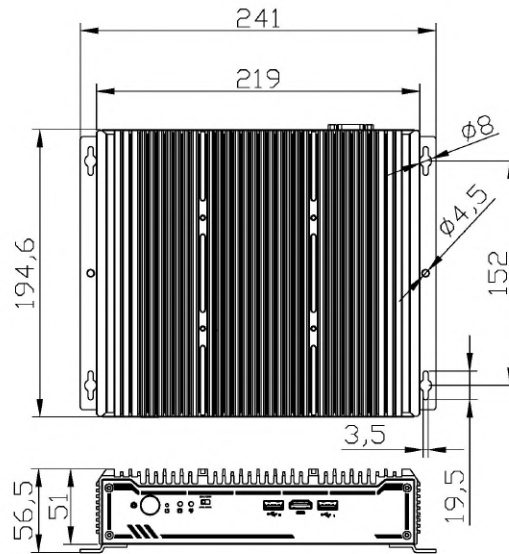
## Specification

Model No.	C3020S-L6	
Chassis	Material/Structure	Full aluminum case, fanless design
	Color	Iron gray + silver I/O plate
	Dimension	219*195*51MM (L*W*H)
	Net Weight	2.3KG
	Installation	Desktop
Motherboard	CPU	Onboard Intel®i5-1135G7/2.4G quad Core 8-Thread processor, TDP 28W
	Display	Integrated Intel®Iris Xe Graphics
	Memory	2* SODIMM DDR4 RAM slot, 3200MHz, up to 64GB
Front I/O Port	Button	1*Power button, 1*Reset button, 1*AC LOSS switch (electric auto power ON/OFF)
	LED	1* Power LED, 1* HDD LED
	Display	1* HDMI1.4
	USB	2* USB2.0
Rear I/O Port	COM	1* DB9 RS232, 1*Console RS232
	LAN	6* Intel I211AT Gigabit Ethernet
	USB	2* USB3.0
	Power	1* DC 12V
Storage	SATA	1*2.5" SATA port
	MSATA	1* MSATA slot, transfer speed up to 6Gbps
Expansion	M.2	1*M.2/WiFi, Key-E, 2230, support WiFi module 1*M.2/5G, Key-B, 2242/2252, support 5G module, built-in NANO SIM slot
	USB	1*USB2.0, TYPE A
	OS Support	Microsoft
Power Supply	Linux	Ubuntu
	Power Type	External power adaptor
Environment	Voltage Input	DC 12V
	Working Temp.	-10℃~50℃
	Storage Temp.	-20℃~70℃
	Relative Humidity	5%-95% relative humidity, non-condensing
	Working Vibration	0.5g rms/5-500HZ/random/operating

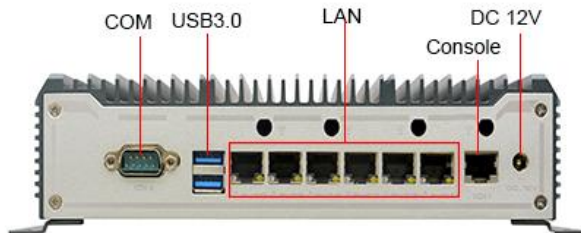


## Industrial PC

All specifications are subject to change without prior notice



Front IO View



Rear IO View

### Order Information

No.	Model	Processor	Motherboard	Memory	MSATA	LAN	COM	HDMI	USB	power
1	C3020S-L6 V1.0(3210M)	i5-3210M/2.5G	K32	1*SODDR3	1	6	2	1	5	DC12V
2	C3020S-L6 V1.0(7267U)	i5-7267/3.1G	K62	2*SODDR4	1	6	2	1	5	DC12V
3	C3020S-L6 V1.0(8257U)	i5-8257U/1.4G	K81	2*SODDR4	1	6	2	1	5	DC 12V
4	C3020S-L6 V1.0(5205U)	5205U/1.90G	K100	2*SODDR4	1	6	2	1	5	DC 12V
5	C3020S-L6 V1.0(1135G7)	i5-1135G7/2.4G	K110	2*SODDR4	1	6	2	1	5	DC 12V