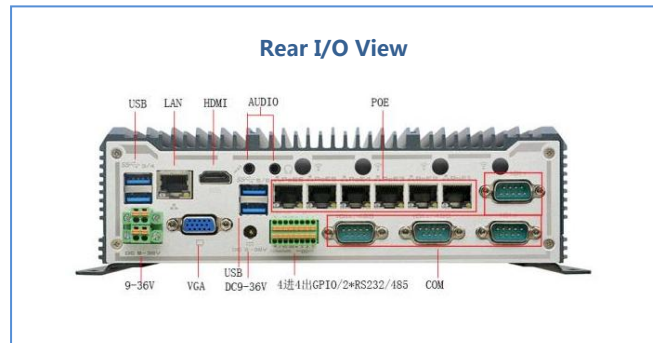
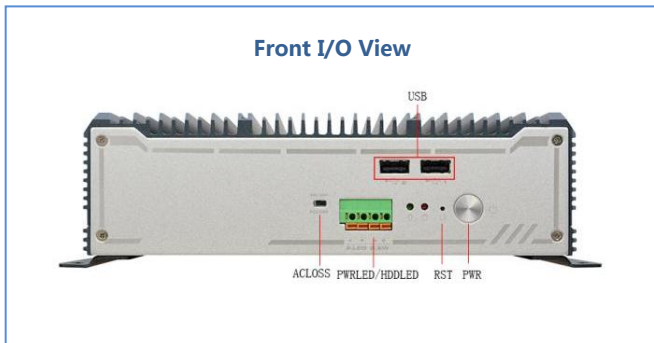
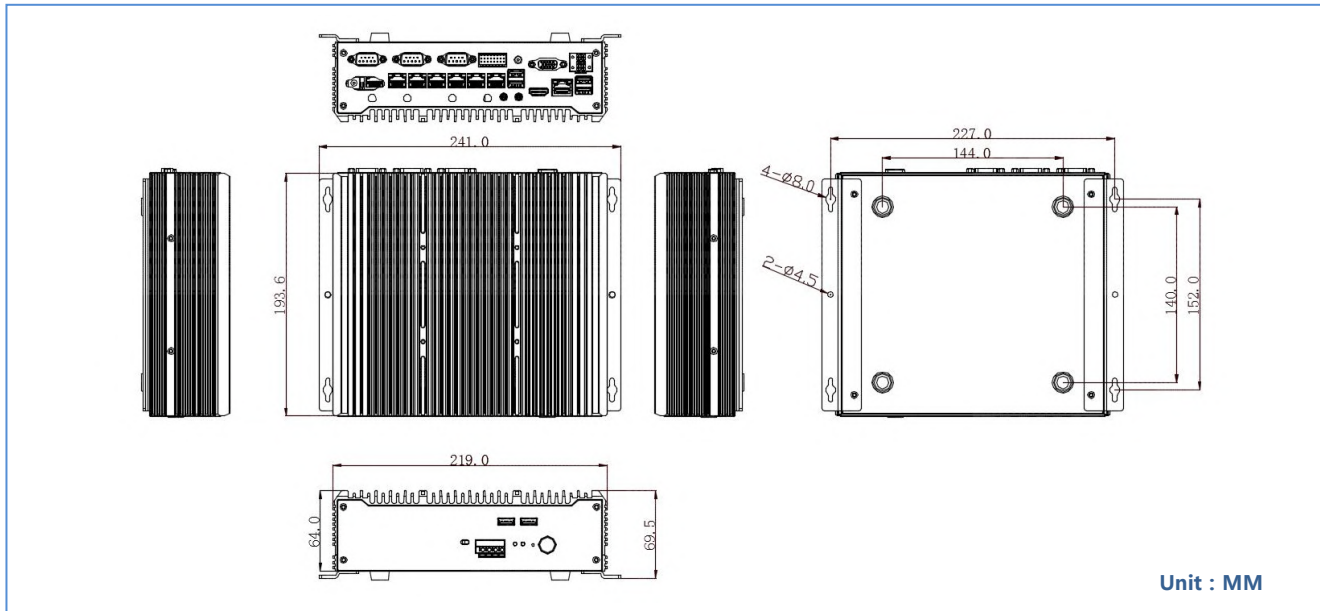




### Features

- Onboard Intel®i5-3210M/2.5G dual Core processor
- 1\*SODIMM DDR3, 1600MHz, up to 8GB
- 1\*HDMI + 1\*VGA dual independent display
- 7\* Gigabit LAN (6\*POE)
- 6\* RS232 (4\*RS485)
- 2\*8Pin Phoenix connector, include 2\*COM, 4\*GPIO
- 4\*USB3.0, 2\*USB2.0
- DC9~36V
- Fanless design, full aluminum case + copper tube

Model No.	C3050S-C6	
Chassis	Material/Structure	Full aluminum case, fanless design
	Color	Foggy silver
	Dimension	241mm*194mm*64mm
	Net Weight	2.4KG
	Installation	Desktop/Embedded
Motherboard	CPU	Onboard Intel®i5-3210M/2.50GHz dual Core 4-Thread processor, TDP 28W
	Graphics	Integrated Intel® HD Graphics4000
	Memory	1*DDR3 SODIMM RAM slot, 1600MHz, up to 8GB
Front I/O Port	POWER	1* Power button, 1*Reset button, 1* AC LOSS switch (electric auto power ON/OFF)
	LED	1* Power LED , 1* HDD LED
	USB	2* USB2.0
	Phoenix Connector	1* 4pin ( include 1*Power LED signal, 1*Power switch signal)
Rear I/O Port	Display	1* VGA(1920*1200@60Hz), 1* HDMI 2.0(4096*2304@60Hz)
	LAN	6* Intel I210AT Gigabit Ethernet, support POE
		1* Realtek 8111H Gigabit Ethernet
	USB	4* USB3.0
	COM	6*RS232, COM1-2 DB9 RS232, COM 3-4 DB9 RS232/RS485, COM5-6 RS232/RS485 (COM5-6 on 2*8Pin Phoenix Connector)
	Audio	1* Line out, 1* MIC
Power	DC 9~36V (1* DC_In Jack, 1*2pin Phoenix connector)	
Storage	SATA	1* 2.5" SATA port
	MSATA	1* MSATA slot, transfer speed up to 6Gbps
Expansion Slot	M.2	1* M.2/WiFi , Key-E , 2230 , support WiFi module
		1* M.2/5G ,Key-B, 2242/2252, support 5G module
	Mini PCIE	1*Mini PCIE, support 4G (4G/M.2 WiFi optional, default M.2 WiFi, need change hardware)
OS Support	Microsoft	Windows 10/11 IoT
	Linux	Ubuntu
Power Type	Power Type	External power adaptor
	Voltage Input	DC 9~36V
Environment	Operating Temp.	-10°C ~ 50°C
	Storage Temp.	-20°C ~ 70°C
	Relative Humidity	5%-95% relative humidity, non-condensing
	Vibration	0.5g rms/5-500HZ/random/operating



## Order Information

No.	Model	Processor	Memory	Motherboard	IO board	M.2	LAN	COM	HDMI	VGA	USB2.0	USB3.0	power
1	C3050S-P6 V0.1(1135G7)	i5-1135G7/2.40G	2*SODDR4	K110	K32-P6/K32-C5/C30-VGA	2	7	6	1	1	2	4	9-36V
2	C3050S-P6 V0.1(8257U)	i5-8257U/1.40G	2*SODDR4	K81	K32-P6/K32-C5/C30-VGA	2	7	6	1	1	2	4	9-36V
3	C3050S-P6 V0.1(7267U)	i5-7267U/3.10G	2*SODDR4	K62	K32-P6/K32-C5/C30-VGA	2	7	6	1	1	2	4	9-36V
4	C3050S-P6 V0.1(3210M)	i5-3210M/2.50G	1*SODDR3	K32	K32-P6/K32-C5/C30-VGA	2	7	6	1	1	2	4	9-36V