



C3280S-P2

Intel®LGA1155 2th/3th Celeron/Pentium/Core



- Intel®i5-1135G7/2.40GHz quad Cores 8-Thread CPU
- 2* SODIMM DDR4 RAM slot, 3200MHz, up to 64GB
- 5* Gigabit LAN (4*POE)
- 6* RS232 (4*RS-485/422/CAN selectable)
- 2* 10 PIN Phoenix connector, 8-in 8-out GPIO, isolated
- 2* PCI expansion slot
- DC 9~36V (1*4pin connector or 4pin DC_In Jack)
- Fanless design, aluminum case

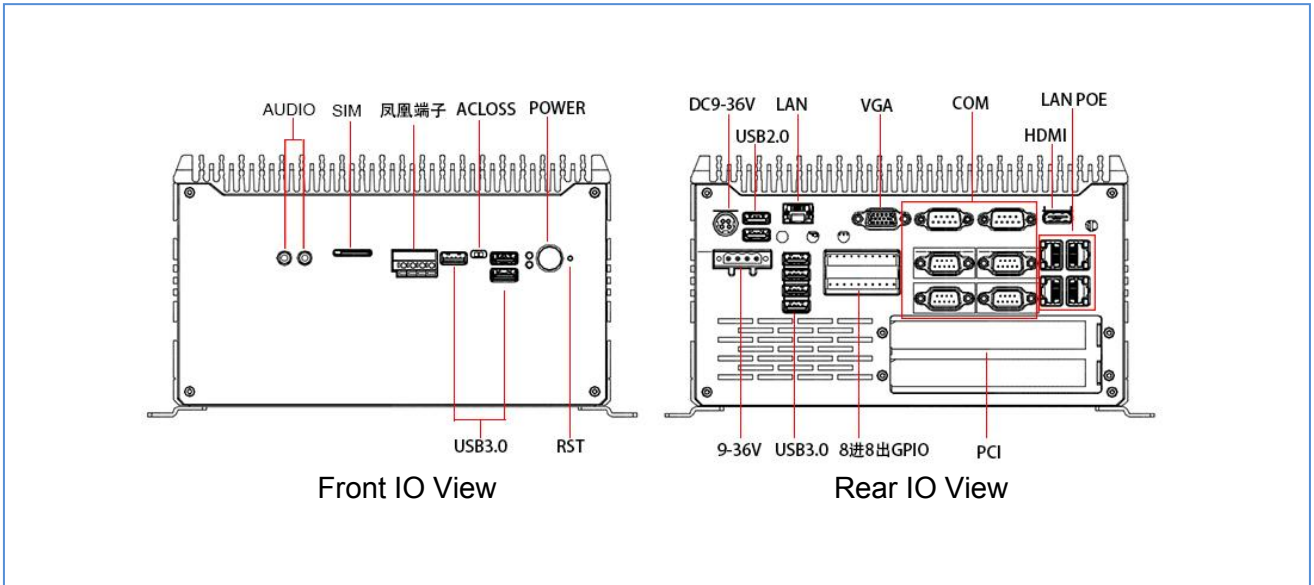
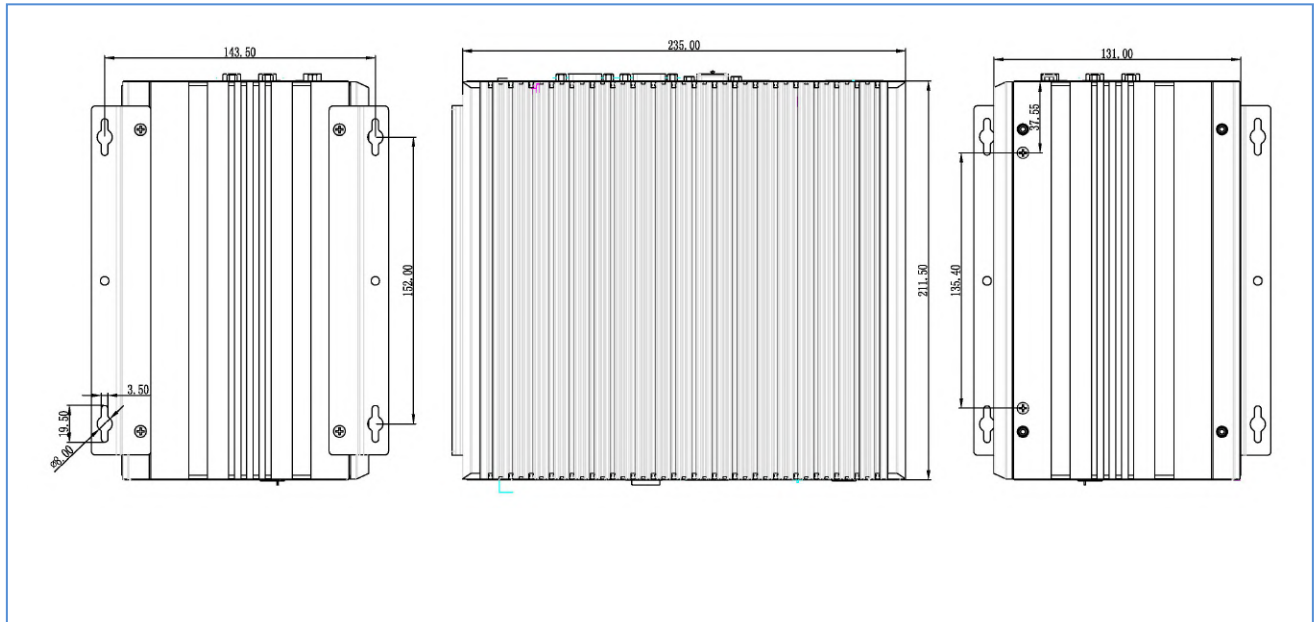
Model No.	C3280S-P2	
Chassis	Material/Structure	Full aluminum case, fanless design
	Color	Iron gray frame + silver I/O plate
	Dimension	235*211*131MM
	Net Weight	4.6KG
	Installation	Desktop
Motherboard	CPU	Intel®i5-1135G7/2.40GHz quad Cores 8-Thread processor, TDP 28W
	Display	Integrated Intel® Iris® Xe Graphics
	Memory	2* SODIMM DDR4 RAM slot, 3200MHz, up to 64GB
Front I/O Port	Power Button	1* Power button, 1*Reset button, 1*AC LOSS (electric auto power ON/OFF)
	LED	1* Power LED, 1*HDD LED
	USB	3* USB3.0
	Phoenix Connector	1*4Pin Phoenix connector (1*Power LED signal, 1*Power switch signal)
	SIM	1*SIM slot (default 4G , 5G optional)
	Audio	1* Line out, 1* MIC
Rear I/O Port	Display	1*VGA port (1920*1200@60Hz) , 1*HDMI1.4 port
	COM	6*DB9 RS232(COM1~2 RS232 ; COM3~6 RS232/48/422/CAN selectable)
	LAN	4* Intel I210AT Gigabit Ethernet (support POE)
		1* RTL8111H Gigabit Ethernet
	Phoenix Connector	2*10pin [8-in 8-out GPIO, isolated , 2*VCC(5V/12V selectable) , 2*GND]
	USB	4* USB3.0, 2* USB2.0
Power Supply	1* 4Pin DC_In Jake and 1*4pin Phoenix connector, DC 9~36V (recommend 9-24V)	
Storage	SATA	1*2.5 SATA port
	MSATA	1* MSATA SSD slot, transfer speed up to 6Gbps
Expansion	PCI	2*PCI
	MINIPCIE	1*MINIPCIE port, support 4G (4G / 5G share same SIM slot, optional, default 4G)
	M.2	1*M.2/WiFi,Key-E, 2230, support WiFi module
		1*M.2/5G, Key-B, 2242/2252, support 5G (factory need changed hardware to use 5G)
	USB	2* Internal USB2.0, can install USB dangle
OS Support	Microsoft	Windows 10/11 IoT
	Linux	Linux
Power Supply	Power Type	DC power port , blossom 4 or 1*4pin Phoenix connector
	Voltage Input	DC 9-36V (recommend 9-24V)
	Consumption	AC TO DC 90W 以上
Environment	Working Temp.	-10°C ~ 50°C
	Storage Temp.	-20°C ~ 70°C
	Relative Humidity	5%-95% relative humidity, non-condensing
	Working Vibration	0.5g rms/5-500HZ/random/operating



Industrial PC

All specifications are subject to change without prior notice

C3280S-P2 Dimension



No.	Model	CPU	Motherboard	Memory	MSATA	GPIO	LAN	COM	HDMI	VGA	USB	power
1	C3280S-P2 V1.0(3210M)	i5-3210M/2.50GHz	K32	1*SODDR3	1	8-in 8-out	5	6	1	1	11	DC 9-36V
2	C3280S-P2 V1.0(7267U)	i5-7267U/3.10GHz	K62	2*SODDR4	1	8-in 8-out	5	6	1	1	11	DC 9-36V
3	C3280S-P2 V1.0(8257U)	i5-8257U/1.4GHz	K81	2*SODDR4	1	8-in 8-out	5	6	1	1	11	DC 9-36V
4	C3280S-P2 V1.0(5205U)	5205U/1.90GHz	K100	2*SODDR4	1	8-in 8-out	5	6	1	1	11	DC 9-36V