



C4350Z-C1



Features

- Onboard Intel®Celeron J4125 2.0GHz quad Core CPU
- 1* SODIMM DDR4 slot, 2400MH, up to 8GB
- 1*VGA, 1*HDMI display output
- 1* Realtek8111H Gigabit Ethernet, support WOL, PXE
- 1*RS232 DB9 COM port
- 4*USB3.0, 2*USB2.0
- 1*2PIN remote control switch
- DC 12V power input
- Fanless cooling design, full aluminum case

Specification

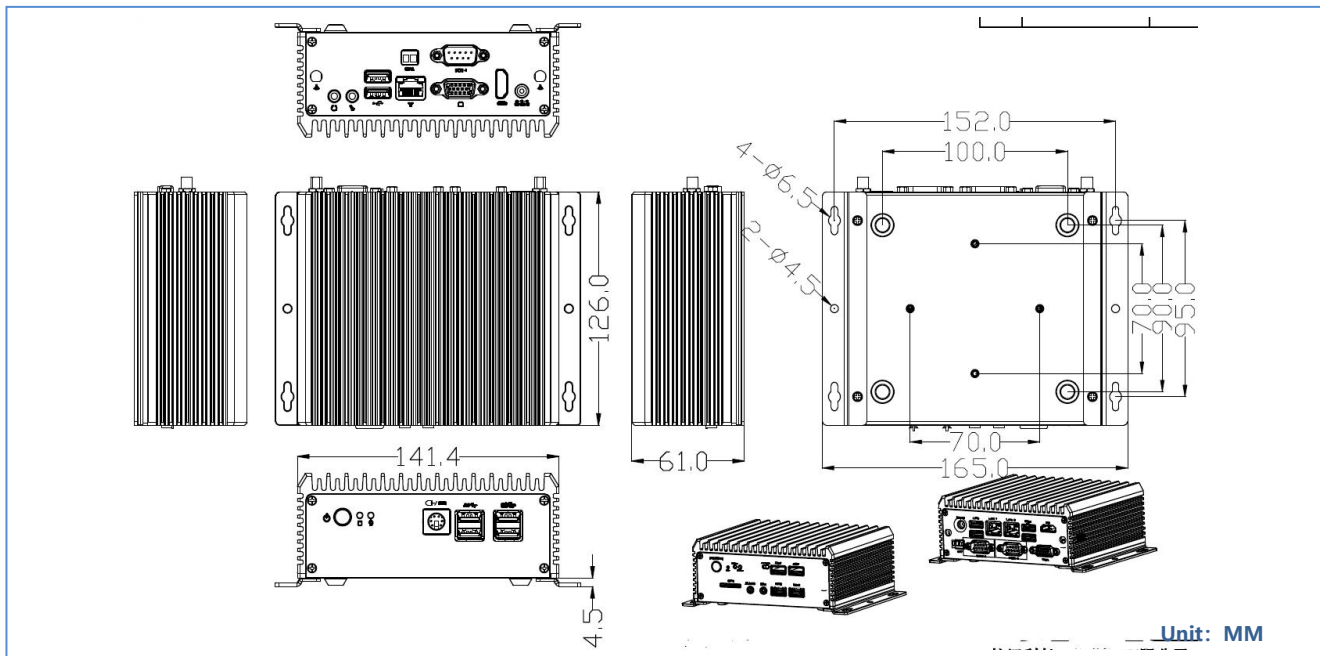
Model No.	C4350Z-C1	
Case	Material/Structure	Full aluminum case, fanless cooling
	Color	Black
	Dimension(L*W*H)	141.5*126*56.5MM
	Installation	Desktop/Wall-mount
Motherboard	CPU	Onboard Intel®Celeron J4125 2.0GHz quad Cores 4-Threads processor, TDP 10W
	Chipset	SOC
	Display	Integrated Intel® UHD Graphics 600
	Memory	1* SODIMM DDR4 RAM slot, 2400MHz, up to 8GB
Front I/O Port	POWER	1*Power switch
	LED	1*P.LED, 1*H.LED
	USB	4* USB3.0 port
	PS/2	1*PS/2 port
Rear I/O Port	POWER	1*2Pin remote control switch
	Display	1*VGA port, 1* HDMI port(4096x2304@24Hz)
	LAN	1* Realtek 8111H Gigabit Ethernet, support Wake On LAN, PXE function
	USB	2* USB2.0 port
	COM	1*RS232 DB9 port
	Audio	1* Line out port, 1* MIC port
	Power	1* 12V DC_In Jack
Storage	SATA	1* SATA 3.0 hard disk port, transfer rate up to 6Gbps
	MSATA	N/A
	M.2	1* M.2 2280 SATA SSD slot
Expansion	Mini PCIE	N/A
	M.2	1* M.2 2230 slot, support WiFi
OS Support	Microsoft Windows	Windows 10/11 IoT
	Linux	Ubuntu
	Watch Dog	Support hardware reset function (L256, 0~255 seconds)
Power Supply	Power Type	External power adaptor
	Voltage Input	DC 12V
	Consumption	AC TO DC, 36W / 60W
Environment	Operating T emp.	-10°C ~ 60°C
	Storage Temp.	-20°C ~ 70°C
	Relative Humidity	5%-95% relative humidity, non-condensing
	Vibration	0.5g rms/5-500HZ/random/operating



Industrial Box PC

All product specifications are subject to change without prior-notice

Dimension



Front I/O View



Rear I/O View



Order Information

No.	Model	Processor	Motherboard	Memory	M.2	LAN	COM	HDMI	VGA	USB2.0	USB3.0	PS/2	AUDIO	Power-input
1	C4350Z-C1 V1.0(J4105)	J4105/1.5GHz	F41_1L F52-C1	1*DDR4	1	1*RTL8111H	1	1	1	2	4	1	1* Line out 1* MIC	DC 12V
2	C4350Z-C1 V1.0(J4125)	J4125/2.0GHz	F41_1L F52-C1	1*DDR4	1	1*RTL8111H	1	1	1	2	4	1	1* Line out 1* MIC	DC 12V
3	C4350Z-C0 V1.0(5205U)	5205U 1.9GHz	F52_1L F52-C1	1*DDR4	1	1*RTL8111H	1	1	1	2	4	1	1* Mic/Line out two in one	DC 12V