



C6950Z-C6



Features

- Intel® 6th Gen Core™ i3/i5 /i7 dual core 4 thread processor
- 2*DDR4 SODIMM RAM slot, support dual channel 2133MHz memory, up to 32GB
- 1*HDMI, 1*VGA dual independent display
- 2* WGI211AT Gigabit Ethernet, support Wake On LAN, PXE
- 6* DB9 RS232 COM port, COM3~COM6 RS232/485 switchable
- Support 1*12 pin Phoenix connector, 4-in 4-out GPIO, switch, 5V
- 4*USB3.0 port, 4*USB2.0 port
- 1* TPM port, 2*10pin
- Wide voltage input DC 9~36V
- Fanless cooling structure, full aluminum case

Specifications

Model No.	C6950Z-C6 V1.1	
Case	Material/Structure	Full aluminum alloy, fanless cooling
	Color	Bright black
	Dimension	L235 * W192 * H68 mm
	Installation	Desktop/Embedded
Motherboard	CPU	Intel® 6th Gen Core™ i3/i5 /i7 dual core 4 thread processor, TDP 15W
	Chipset	Based on Intel® Skylake-U SOC
	Display	Integrated Intel® Iris™ Graphics 540, support DirectX 12 OpenGL 4.5
	RAM	2*DDR4 SODIMM RAM slot, support dual channel 2133MHz memory, up to 32GB
	TPM	1* TPM port, 2*10pin
Front Panel I/O	Power Switch	1* Power switch, 1* Reset switch
	AC LOSS	1*AC LOSS switch (Restore AC loss power ON/OFF)
	USB	4* USB2.0 port
	Phoenix	1*12pin, support 4-in 4-out GPIO, switch, 5V
	Connector PS2	1*PS2 port
	COM	1* RS232 COM port, support RS232/RS485 switchable by jumper setting
	SIM	1* SIM slot
	LED	1* Power LED, 1* HDD LED
Rear Panel I/O	Display Port	1*VGA port, 1*HDMI1.4 port
	LAN	2*Intel® WGI211AT Gigabit Ethernet, support Wake On LAN, PXE function
	USB	4* USB3.0 port
	COM	5* RS232 DB9 COM port, COM3~5 support RS232/RS485 switchable by jumper setting
	Audio	1* Line out port, 1* MIC port
	Power	1* DC power adaptor port, 1* 3pin power connector, support 9~36V power input output
Storage	SATA	1*2.5" SATA HDD expansion
	SSD	1* MSATA SSD expansion, transmission rate up to 6Gbps
Expansion	Mini PCIE	1* Mini PCIE slot, support WiFi/4G module. Note: when use C43 board (4120U/5250U), 4G and USB5 are optional, defaulted USB5
	OS	
Support Software	Watch Dog	Windows 10, 64bit (not include license code), Linux Ubuntu
	Power Type	Support hardware reset function (L256, 0~255 seconds)
Power Supply	Voltage Input	External power adaptor or open power supply
	Power	9V~36V wide voltage input
	Working Temp.	36W~180W
Environment	Storage Temp.	-10 °C ~60 °C
	Relative Humidity	20 °C ~70 °C
	Working	5%-95% relative humidity, non-condensing
	Vibration	0.5g rms/5-500HZ/random/operating

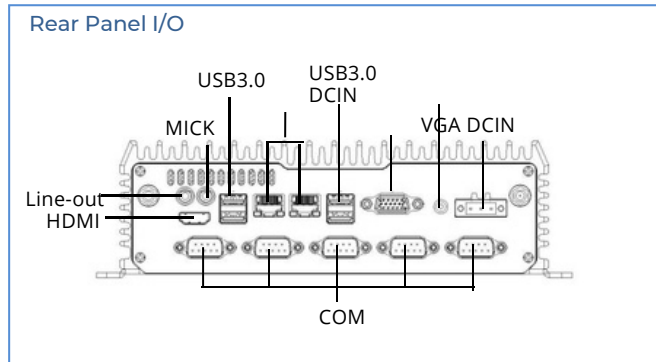
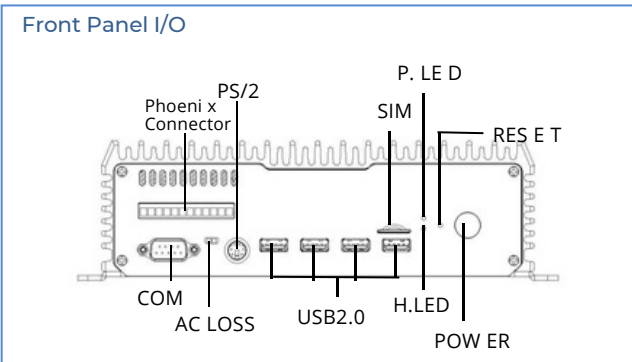
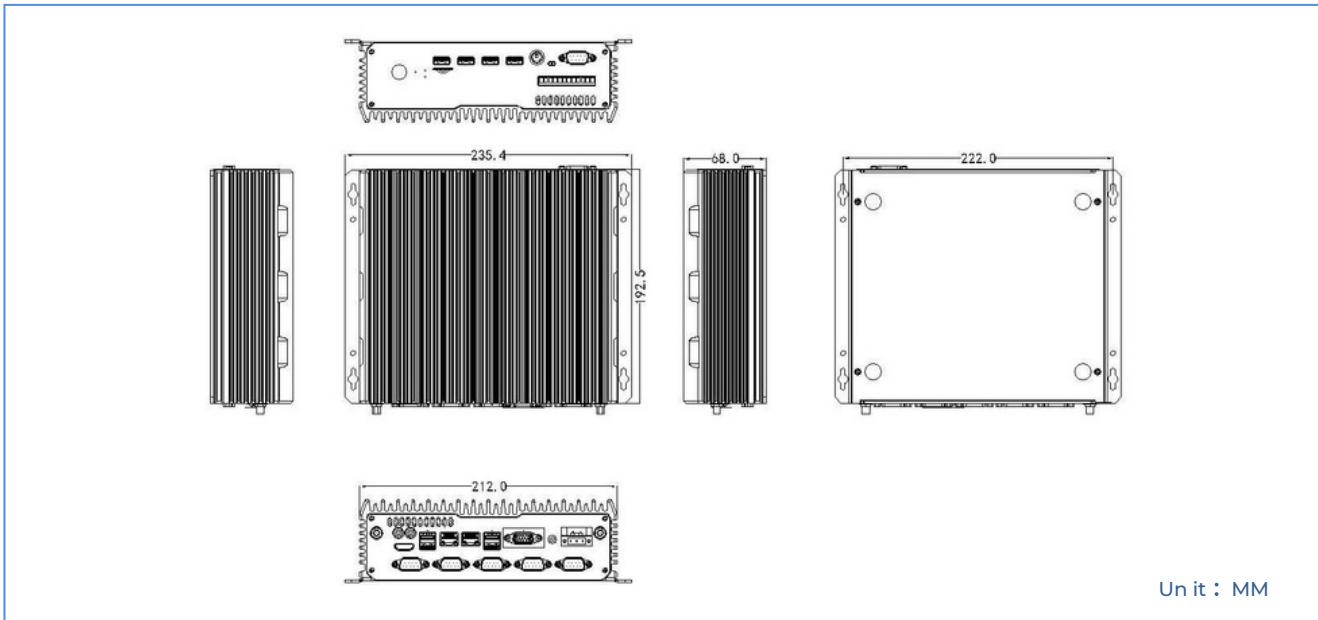


Embedded Industrial Computer

All product specifications are subject to change without prior notice

Dimension Drawing

C6950Z-C6



Order Information

No.	Model	Processor	Motherboard	Memory	Phoenix Connector	LAN	COM	HDMI	VGA	USB2.0	USB3.0	SIM	PS2	power-input
1	C6950Z-C6(8565U)	8565U/1.8GHz	C81-I726D	2*SODDR4	1*12PIN	2	6	1	1	4	4	1	1	DC 9V~36V
2	C6950Z-C6(8265U)	8265U/1.6GHz	C81_I526D	2*SODDR4	1*12PIN	2	6	1	1	4	4	1	1	DC 9V~36V
3	C6950Z-C6(8145U)	8145U/2.1GHz	C81-I326D	2*SODDR4	1*12PIN	2	6	1	1	4	4	1	1	DC 9V~36V
4	C6950Z-C6(7200U)	7200U/2.5GHz	C57_I526D	2*SODDR4	1*12PIN	2	6	1	1	4	4	1	1	DC 9V~36V
5	C6950Z-C6(7600U)	7600U/2.8GHz	C57-I726D	2*SODDR4	1*12PIN	2	6	1	1	4	4	1	1	DC 9V~36V
6	C6950Z-C6(6650U)	6650U/2.2GHz	C57-I726D	2*SODDR4	1*12PIN	2	6	1	1	4	4	1	1	DC 9V~36V
7	C6950Z-C6(6360U)	6360U/2.0GHz	C57-I526D	2*SODDR4	1*12PIN	2	6	1	1	4	4	1	1	DC 9V~36V
8	C6950Z-C6(5250U)	5250U/1.6GHz	C43-I526D	1*SODDR3L	1*12PIN	2	6	1	1	6	2	/	1	DC 9V~36V
9	C3950Z-C6(4120U)	4120U/2.0GHz	C43-I326D	1*SODDR3L	1*12PIN	2	6	1	1	6	2	/	1	DC 9V~36V