

# P1031Z-C2 Marine

10.4" Capacitive Touch Panel PC



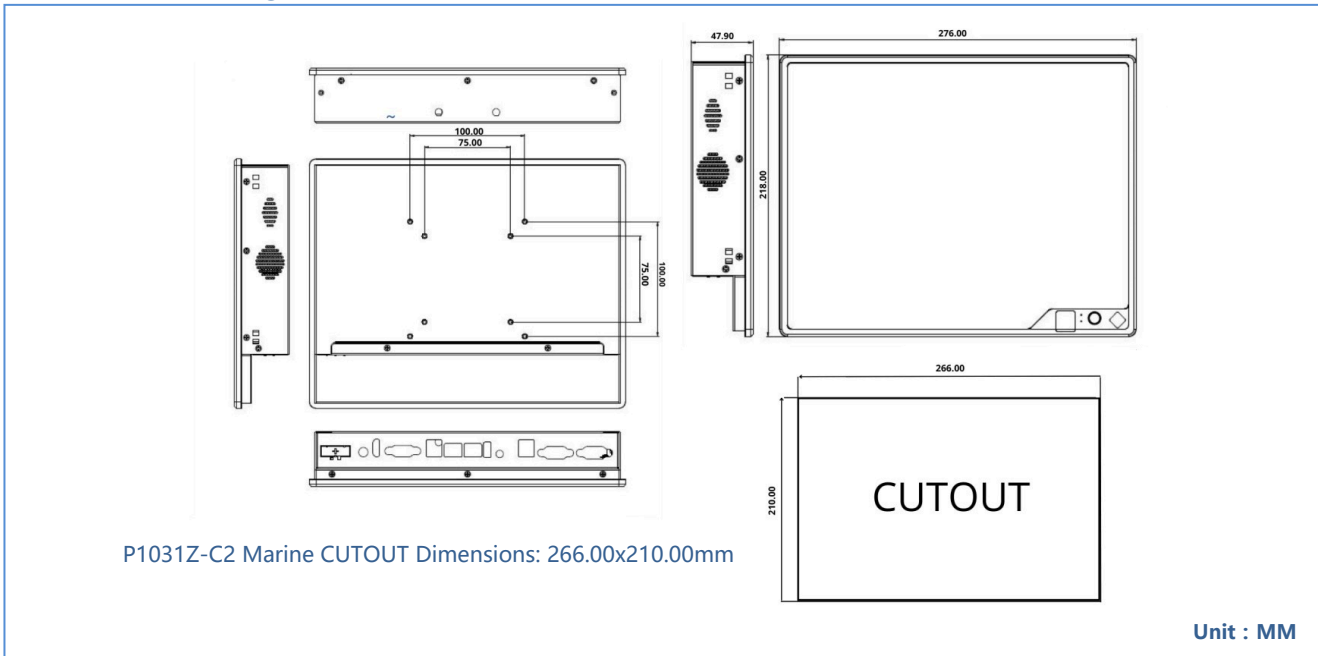
## Features

- Onboard Intel®J4125
- 1\* SODIMM RAM slot, 2400MHz, up to 8GB
- 1\*HDMI, 1\*VGA dual independent display output
- 2\* RTL8111H Gigabit Ethernet, support WOL、 PXE
- 2\* DB9 RS232 COM port, support RS485 selectable
- 2\*USB3.0 , 3\*USB2.0
- DC 12V power input ( can expand 1\*3Pin DC 9~36V )
- Aluminum alloy case, fanless cooling
- IEC 60945

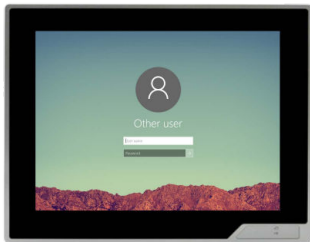
## Specifications

Model No.	<b>P1031Z-C2 Marine</b>	
Case	Material/Structure	Metal case, fanless cooling
	Color	Bright silver
	Dimension	L276*W218*H48mm
	Installation	Wall-mount
LCD	Type	10.4" LCD
	Max. Resolution	1024 * R.G.B. * 768
	Contrast Ratio	1000:1
	Luminance cd/m2	600 nits
Touch Screen	Type	Capacitive touch screen
	Light Transmission	> 86%
Motherboard	CPU	Onboard Intel® J4125
	Chipset	SOC
	Display	Integrated Intel® UHD Graphics 600
	Memory	1* SODIMM DDR4 RAM slot, 2400MHz, up to 8GB
IO Port	POWER	1* Power Button
	LED	1* Power LED , 1* HDD LED
	Dimming Function	N/A
	Display	1*VGA , 1*HDMI
	LAN	2* RTL8111H Gigabit Ethernet, support Wake On LAN、 PXE
	USB	3* USB2.0, 2* USB3.0
	COM	2* DB9 RS232 COM port, support RS485 selectable
	Audio	1* Line-out ( green )
Storage	SATA	1* 7pin SATA3.0 hard disk port, transfer speed up to 3Gbps
	SSD	1* MSATA SSD slot, transfer speed up to 6Gbps
Expansion	Mini PCIE	1* Mini-PCIE slot , support WiFi/4G module
	M.2	N/A
OS Support	Microsoft Windows	Windows 10/Linux
	BIOS	64Mb Flash ROM
	Watch Dog	Support hardware reset function (L256 , 0~255 seconds)
Power Supply	Power Type	External power adaptor
	Voltage Input	DC 12V
	Consumption	60W
Environment	Operating Temp.	-10°C ~ 60°C
	Storage Temp.	-20°C ~ 70°C
	Relative Humidity	5%-95% relative humidity, non-condensing
	Working Vibration	0.5g rms/5-500HZ/random/operating

## Dimension Drawing



### Front View



### I/O & Back View

