

P1031Z-C2 Marine

10.4" Capacitive Touch Panel PC



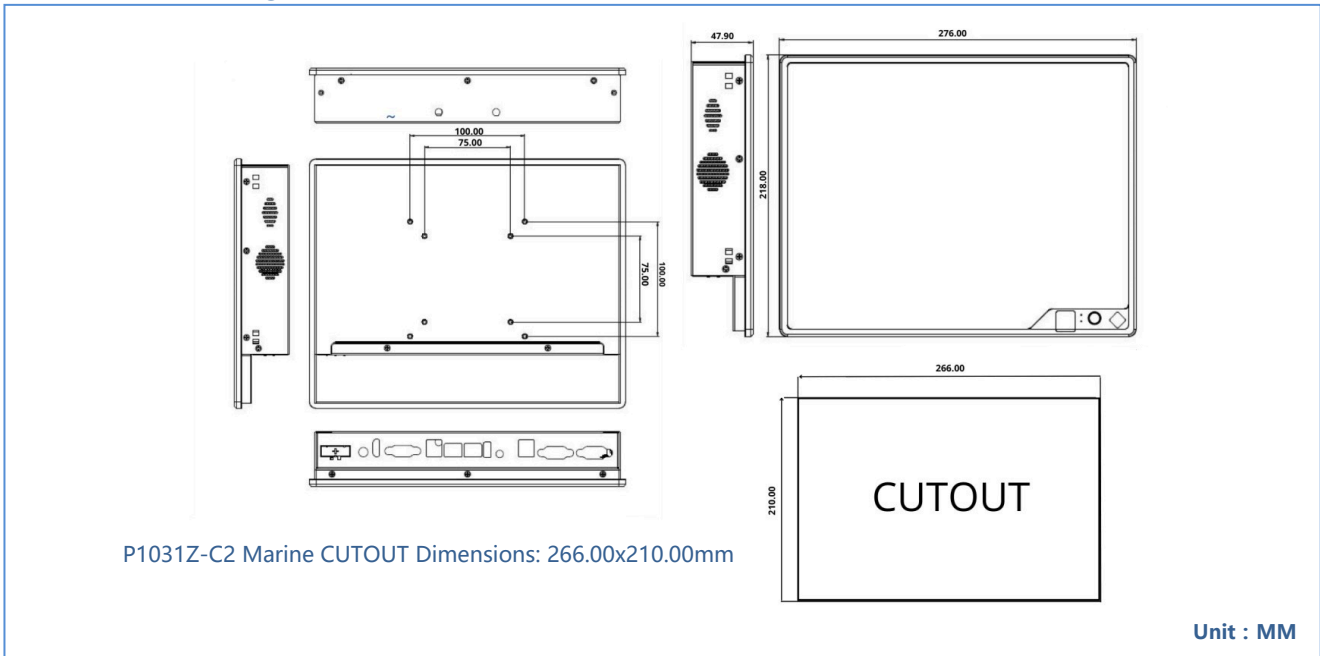
Features

- Onboard Intel®J4125
- 1* SODIMM RAM slot, 2400MHz, up to 8GB
- 1*HDMI, 1*VGA dual independent display output
- 2* RTL8111H Gigabit Ethernet, support WOL、 PXE
- 2* DB9 RS232 COM port, support RS485 selectable
- 2*USB3.0 , 3*USB2.0
- DC 12V power input (can expand 1*3Pin DC 9~36V)
- Aluminum alloy case, fanless cooling
- IEC 60945, IP 65 Rating

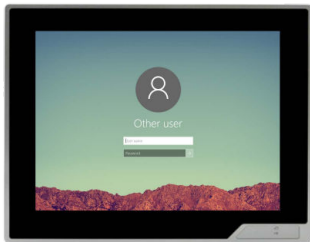
Specifications

Model No.	P1031Z-C2 Marine	
Case	Material/Structure	Metal case, fanless cooling
	Color	Bright silver
	Dimension	L276*W218*H48mm
	Installation	Wall-mount
LCD	Type	10.4" LCD
	Max. Resolution	1024 * R.G.B. * 768
	Contrast Ratio	1000:1
	Luminance cd/m2	600 nits
Touch Screen	Viewing Angle	176(H)/ 176(V) (CR>10)
	Type	Capacitive touch screen
Touch Screen	Light Transmission	> 86%
	Motherboard	CPU
Chipset		SOC
Display		Integrated Intel® UHD Graphics 600
Memory		1* SODIMM DDR4 RAM slot, 2400MHz, up to 8GB
IO Port	POWER	1* Power Button
	LED	1* Power LED , 1* HDD LED
	Dimming Function	N/A
	Display	1*VGA , 1*HDMI
	LAN	2* RTL8111H Gigabit Ethernet, support Wake On LAN、 PXE
	USB	3* USB2.0, 2* USB3.0
	COM	2* DB9 RS232 COM port, support RS485 selectable
	Audio	1* Line-out (green)
Storage	Power	1* DC 12V power input port & 1*3PIN 9~36V wide voltage power connector
	SATA	1* 7pin SATA3.0 hard disk port, transfer speed up to 3Gbps
Expansion	SSD	1* MSATA SSD slot, transfer speed up to 6Gbps
	Mini PCIE	1* Mini-PCIE slot , support WiFi/4G module
OS Support	M.2	N/A
	Microsoft Windows	Windows 10/Linux
Power Supply	BIOS	64Mb Flash ROM
	Watch Dog	Support hardware reset function (L256 , 0~255 seconds)
	Power Type	External power adaptor
Environment	Voltage Input	DC 12V
	Consumption	60W
	Operating Temp.	-10°C ~ 60°C
Environment	Storage Temp.	-20°C ~ 70°C
	Relative Humidity	5%-95% relative humidity, non-condensing
	Working Vibration	0.5g rms/5-500HZ/random/operating

Dimension Drawing



Front View



I/O & Back View

