



P1271Y-P4



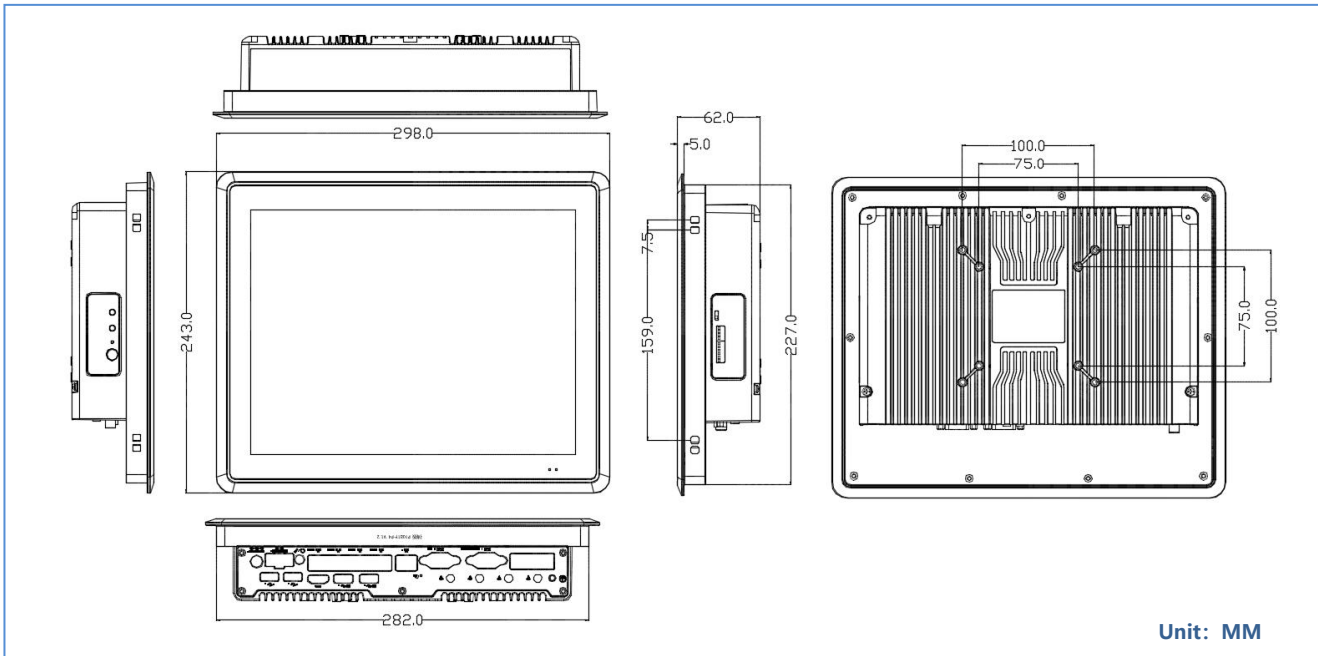
Features

- 12.1" LCD, 1024*768, 4:3, capacitive touch screen
- 1*HDMI
- 5*Intel I210AT Gigabit LAN port (4*POE)
- 4*RS232 (2*RS485, 1*RS422), COM1~2 DB9, COM3~4 on Phoenix connector
- 4-in 4-out GPIO, 2*USB3.0, 2*USB2.0
- 9~36V
- Aluminum case, fanless design

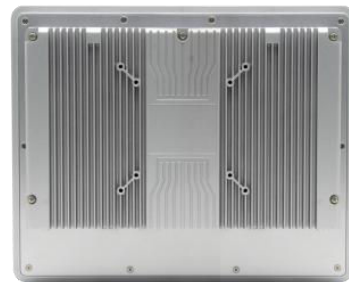
Model No.	P1271Y-P4 V1.0	
Chassis	Material/Structure	Aluminum case, fanless design
	Color	Silver
	Dimension	L368*W292*H62mm
	Net Weight	2.97KG
	Installation	VESA mount / embedded
LCD Screen	Type	12.1" LCD, 4:3
	Resolution	1024 * 768
	Luminance	500 cd/m ²
Touch Screen	Type	Capacitive, 10 point touch (can change to resistive touch screen)
	Light Transmission	>86%
IO Port	POWER	1*Power button, 1* One-key recovery, 1*AC LOSS (auto power ON/OFF) 1*CMOS button
	Display	1*HDMI
	LAN	5*Intel I210AT Gigabit LAN port, 4*POE/15W
	USB	2*USB3.0, 2*USB2.0
	COM	4*RS232, COM1~2 DB9 RS232, COM2 RS485/422, COM3~4 RS232 on 2*12pin Phoenix connector, COM3 support RS485, COM1-2 support pin9 charging function
	Phoenix Connector	2*15Pin (4-in 4-out GPIO, power signal, COM3~COM4, 5V VCC and GND)
	DIP Switch	10-digit dip switch for COM2~3 RS232/485 selection, COM2 RS232/485/422 selection via dip switch +COM2_SW1 jumper
	Audio	1*AUDIO, Line out/MIC 2-in-1
	Power	1*DC (5.5*2.5) aviation port, 1*2P P=5.08mm connector, support 9V~36V power input
Storage	SATA	1*2.5" SATA port
	MSATA	1*MSATA
	M.2	1*M.2 SSD port, support Key-M, 2280, NVME PCIe4 SSD
Expansion	M.2	1*M.2/WiFi, support Key-E, 2230, WiFi module
		1*M.2/5G, support Key-B, 2242/52, 5G module
Power Supply	Power Type	External power supply
	Voltage Input	9V~36V
	Rate Consumption	AC TO DC 60W (depend on CPU and external device)
Environment	Operating Temp.	-10°C ~ 50°C
	Storage Temp.	-20°C ~ 70°C
	Relative Humidity	5%-95% relative humidity, non-condensing
	Vibration	0.5g rms/5-500HZ/random/operating



Dimension



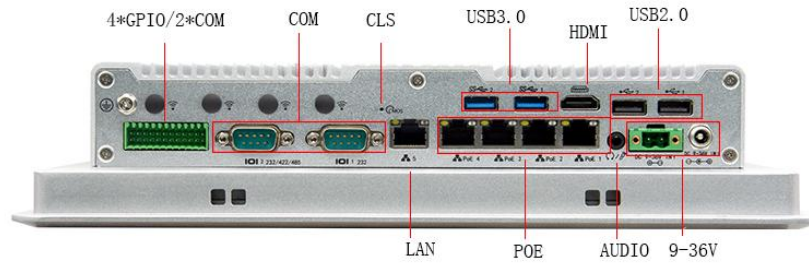
Front View



Back View



Lateral I/O View



Bottom I/O View