



# P1581Y-C6

## 15.6 " Capacitive Touch Fanless Panel PC



### Features

- 15.6" full HD capacitive touch wide LCD screen
- Onboard Intel Celeron J6412 quad Core processor
- 2\* SODIMM DDR4, 2400MHz, up to 32GB
- 1\* HDMI, 1\*VGA dual independent display
- 2\* I211AT Gigabit Ethernet, support WOL, PXE
- 6\* RS232, COM1 DB9 RS232, COM2~3 RS232/RS485, COM4~6 RS232/485 on 2\*10pin Phoenix connector
- 4-in 4-out GPIO
- DC 9~36V
- Fanless design, aluminum case
- 1\* SIM slot

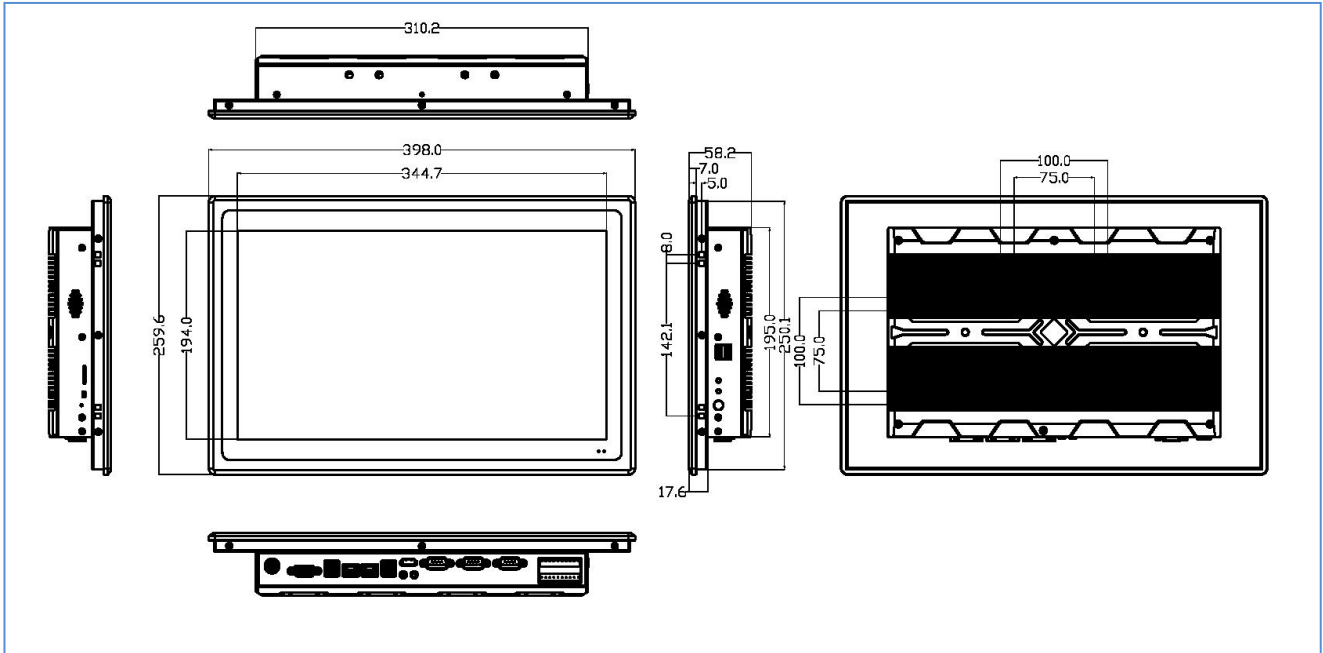
Model No.	P1581Z-C6	
Chassis	Material/Structure	Fanless deign, aluminum case
	Color	Bright silver
	Dimension	L369*W299*H58.2mm
	Net Weight	3.65KG
	Installation	Wall-mount
LCD Screen	Type	15.6" Full HD LCD
	Resolution	1920 * 800
	Luminance	400 cd/m2
Touchscreen	Touch Type	Capacitive
	Light Transmission	>85%
Motherboard	CPU	Onboard Intel Celeron J6412 quad Core processor
	Graphics	Integrated Intel® UHD Graphics, support DirectX 12 OpenGL 4.5, 4K display
	Memory	2* DDR4 SODIMM RAM slot, 2400MHz, up to 32GB
IO Port	POWER	1* Power button, 1* Reset button, 1* AC LOSS switch ( electric auto power ON/OFF )
	SIM	1* SIM slot
	Display	1* VGA(1920X1200@60Hz) , 1*HDMI ( 4096x2304@24Hz )
	LAN	2* Intel® I211AT/I210AT Gigabit Ethernet, support Wake On LAN、PXE function
	USB	2* USB2.0, 4* USB3.0
	COM	6* RS232, COM1 D99 RS232, COM2~3 DB9 RS-232/485, COM1~2 support pin9 charged function, COM4~6 RS-232/485 on Phoenix connector
	Phoenix Connector	2* 10PIN [ 4-in 4-out, switch signal, COM4~COM6(RS232/RS485), 5V VCC & GND ]
	Audio	1* Line out , 1* MIC
	Power	1* Blossom 4pin power adaptor port, DC 9~36V
Storage	SATA	1* 2.5" SATA hard disk expansion
	mSATA	1* MSATA SSD slot, transfer speed up to 6Gbps
Expansion	Mini PCIE	2* Mini-PCIE slot, MINIPCIE2 support WiFi , MINIPCIE1 support 4G
OS Support	Microsoft Windows	Windows 10
	Linux	Ubuntu
Power Supply	Power Type	External power adaptor
	Voltage Input	DC 9~36V
	Consumption	36W~180W
Environment	Working Temp.	-10°C ~ 60°C
	Storage Temp.	-20°C ~ 70°C
	Relative Humidity	5%-95% relative humidity, non-condensing
	Vibration	0.5g rms/5-500HZ/random/operating



### Industrial Panel PC

All specifications are subject to change without prior notice

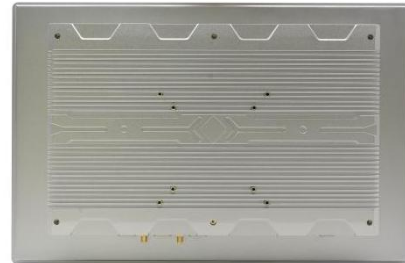
# P1581Z-C6 Dimension



Front View



Back View



Lateral I/O View



## Industrial Panel PC

All specifications are subject to change without prior notice

### Bottom I/O View

