

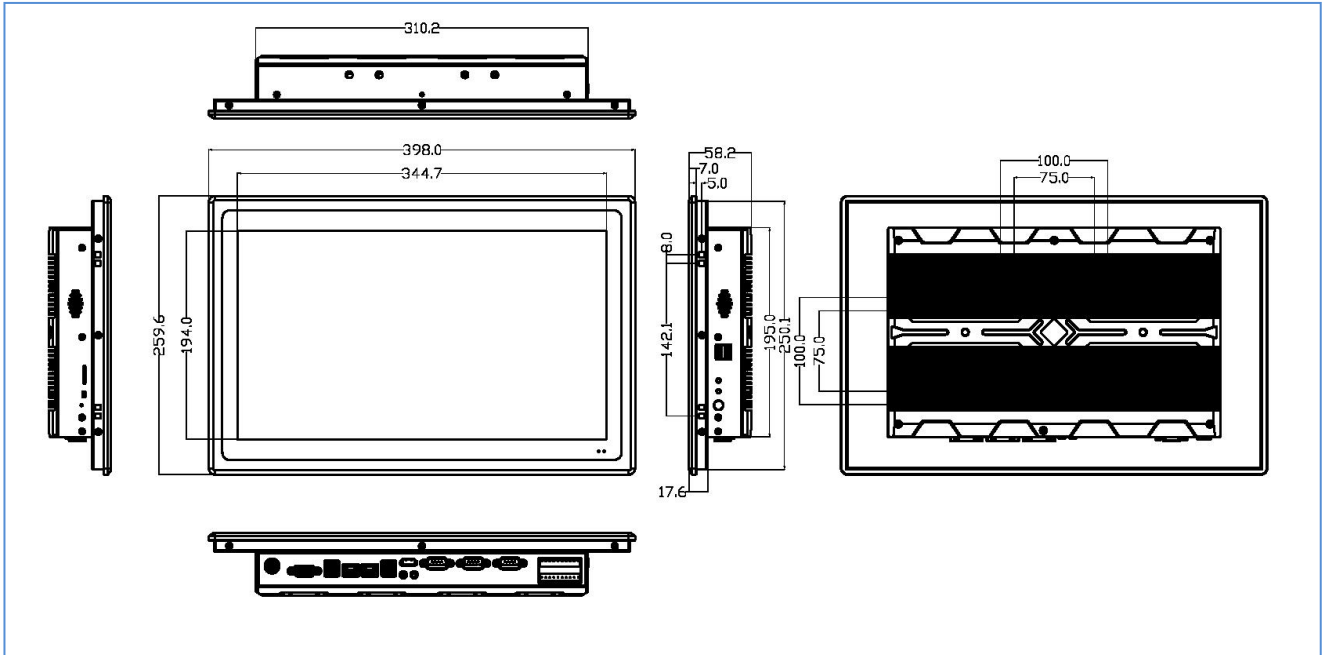


### Features

- 15.6" full HD capacitive touch wide LCD screen
- Onboard Intel®i5-8265U 1.6GHz quad Core processor
- 2\* SODIMM DDR4, 2400MHz, up to 32GB
- 1\* HDMI, 1\*VGA dual independent display
- 2\* I211AT Gigabit Ethernet, support WOL, PXE
- 6\* RS232, COM1 DB9 RS232, COM2~3 RS232/RS485, COM4~6 RS232/485 on 2\*10pin Phoenix connector
- 4-in 4-out GPIO
- DC 9~36V
- Fanless design, aluminum case
- Rating IP65

Model No.	P1581Z-C6 V2.0(8265U)	
Chassis	Material/Structure	Fanless deign, aluminum case
	Color	Bright silver
	Dimension	L369*W299*H58.2mm
	Net Weight	3.65KG
	Installation	Wall-mount
LCD Screen	Type	15.6" Full HD LCD
	Resolution	1920 * 800
	Luminance	400 cd/m2
Touchscreen	Touch Type	Capacitive
	Light Transmission	> 85%
Motherboard	CPU	Onboard 8th Gen Whiskey Lake-U Intel®i5-8265U 1.6GHz quad 8-Thread CPU, TDP 15W
	Graphics	Integrated Intel® UHD Graphics, support DirectX 12 OpenGL 4.5, 4K display
	Memory	2* DDR4 SODIMM RAM slot, 2400MHz, up to 32GB
IO Port	POWER	1* Power button, 1* Reset button, 1* AC LOSS switch ( electric auto power ON/OFF )
	SIM	1* SIM slot
	Display	1* VGA(1920X1200@60Hz) , 1*HDMI ( 4096x2304@24Hz )
	LAN	2* Intel® I211AT/I210AT Gigabit Ethernet, support Wake On LAN、 PXE function
	USB	2* USB2.0, 4* USB3.0
	COM	6* RS232, COM1 D99 RS232, COM2~3 DB9 RS-232/485, COM1~2 support pin9 charged function, COM4~6 RS-232/485 on Phoenix connector
	Phoenix Connector	2* 10PIN [ 4-in 4-out, switch signal, COM4~COM6(RS232/RS485), 5V VCC & GND ]
	Audio	1* Line out , 1* MIC
	Power	1* Blossom 4pin power adaptor port, DC 9~36V
	Storage	SATA
mSATA		1* MSATA SSD slot, transfer speed up to 6Gbps
Expansion	Mini PCIE	2* Mini-PCIE slot, MINIPCIE2 support WiFi , MINIPCIE1 support 4G
OS Support	Microsoft Windows	Windows 10
	Linux	Ubuntu
Power Supply	Power Type	External power adaptor
	Voltage Input	DC 9~36V
	Consumption	36W~180W
Environment	Working Temp.	-10°C ~ 60°C
	Storage Temp.	-20°C ~ 70°C
	Relative Humidity	5%-95% relative humidity, non-condensing
	Vibration	0.5g rms/5-500HZ/random/operating

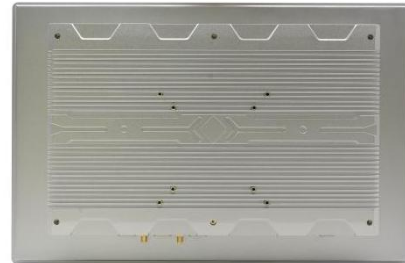
# P1581Z-C6 Dimension



Front View

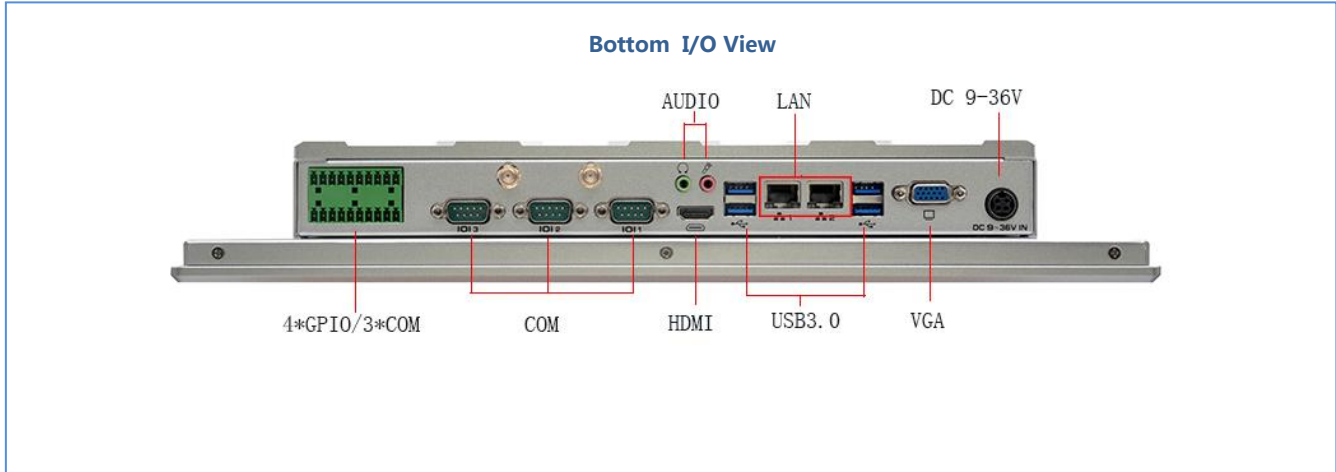


Back View



Lateral I/O View





### Order Information

No.	Model	Processor	Memory	Motherboard	IO Board	GPIO	LAN	COM	HDMI	VGA	USB 2.0	USB 3.0	Power
1	P1581Z-C6 V2.0(J1900)	J1900/2.00G	1*DDR3L	C19-J926D	P1261-R6/P1261-C3/P2571-SW	4-in 4-out	2	6	1	1	5	1	9~36V
2	P1581Z-C6 V2.0(5020U)	5020U/2.00G	1*DDR3L	C43-I326D	P1261-R6/P1261-C3/P2571-SW	4-in 4-out	2	6	1	1	4	2	9~36V
3	P1581Z-C6 V2.0(6650U)	i7-6650U/2.20G	2*DDR4	C58-I726D	P1261-R6/P1261-C3/P2571-SW	4-in 4-out	2	6	1	1	2	4	9~36V
4	P1581Z-C6 V2.0(7360U)	i5-7360U/2.50G	2*DDR4	C58-I526D	P1261-R6/P1261-C3/P2571-SW	4-in 4-out	2	6	1	1	2	4	9~36V
5	P1581Z-C6 V2.0(8145U)	i3-8145U/2.10G	2*DDR4	C81-I326D	P1261-R6/P1261-C3/P2571-SW	4-in 4-out	2	6	1	1	2	4	9~36V
6	P1581Z-C6 V2.0(8265U)	i5-8265U/1.60G	2*DDR4	C81-I526D	P1261-R6/P1261-C3/P2571-SW	4-in 4-out	2	6	1	1	2	4	9~36V
7	P1581Z-C6 V2.0(5205U)	5205U/1.90G	2*DDR4	C100-C326D	P1261-R6/P1261-C3/P2571-SW	4-in 4-out	2	6	1	1	2	4	9~36V