

P1971Y-C6

19" PCAP Panel PC

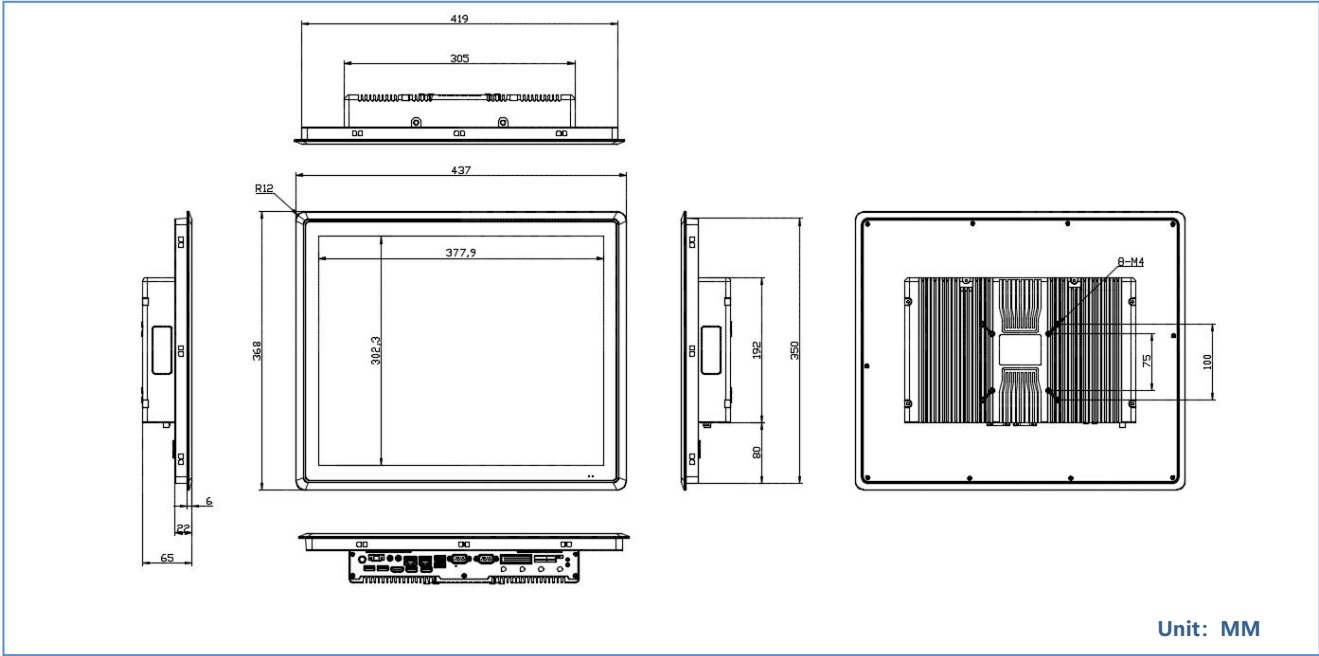


Features

- 19" LCD, 1280*1024, capacitive touch screen
- Intel®Celeron J6412/2.00GHz quad cores CPU
- 2*SODIMM DDR4 2400MHz, up to 32GB
- 1*HDMI
- 2*Intel I210 Gigabit Ethernet
- 6*RS232, COM1 DB9, COM2 DB9 RS232/485/422, COM3-6 RS232/485 on 2*10Pin phoenix connector
- 2*15Pin Phoenix connector, 4-in 4-out GPIO, power signal, 5V, GND
- 4*USB3.0, 2*USB2.0
- 9~36Vvoltage input
- Aluminum case, fanless cooling

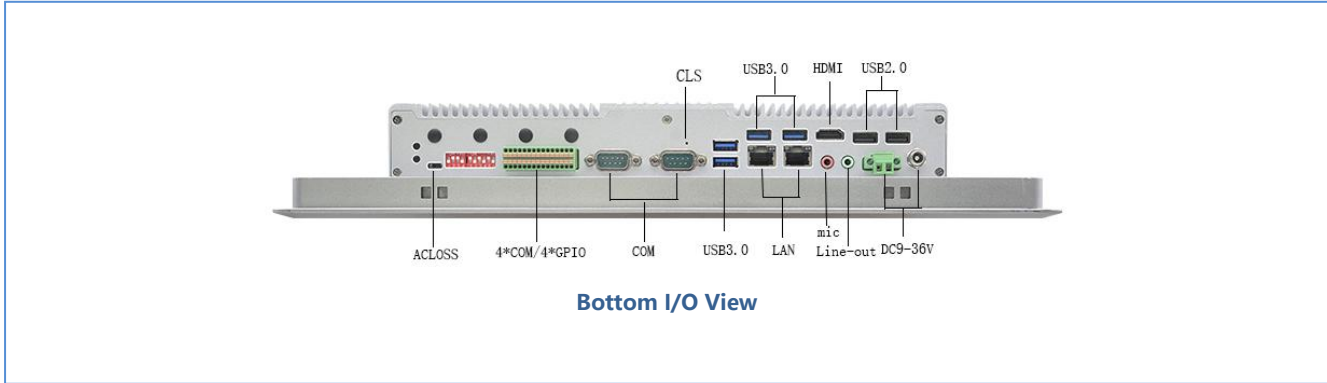
Model No.	P1971Y-C6 V1.0(J6412)	
Chassis	Material/Structure	Aluminum case, fanless design
	Color	Silver
	Dimension	L437*W368*H65mm
	Net Weight	6.1KG
	Installation	VESA mount / embedded
LCD Screen	Type	19" LCD
	Resolution,Lumin.	1280 * 1024, 250 cd/m2
	IP Rating	IP 65
Touch Screen	Type	Capacitive, 10 point touch
	Light Transmission	>86%
Mainboard	CPU	Onboard Intel®Celeron J6412/2.00GHz quad core 4-thread processor, TDP 10W
	Graphics	Integrated Intel® UHD Graphics
	Memory	2*DDR4 SODIMM RAM slot, 2400MHz, up to 32GB
IO Port	POWER	1*Power button, 1* One-key recovery, 1*AC LOSS (auto power ON/OFF)
	LED	1*Power LED, 1* HDD LED
	Display	1*HDMI
	LAN	2*Intel I210 Gigabit Ethernet, support Wake On LAN、 PXE
	USB	4*USB3.0, 2*USB2.0
	COM	6*RS232, COM1 DB9, COM2 DB9 RS232/485/422, COM3-6 RS232/485 on 2*10pin Phoenix connector, COM1-2 support pin9 charged function
	Phoenix Connector	2*15Pin (4-in 4-out GPIO, power signal, COM3~6 (RS232/485), 5V VCC and GND)
	DIP switch	10-digit dip switch for COM2~6 RS232/485/422 selection
	Audio	1*Line out, 1*MIC
	Power	1*DC aviation port, 1*2Pin Phoenix connector, support DC9~36V voltage input
Storage	SATA	1*2.5" SATA port
	M.2	1*M.2 SSD port, support Key-M, 2280, NVME PCIe4 SSD
	MSATA	1*MSATA SSD port
Expansion	M.2	1*M.2/WiFi, Key-E, 2230, support WiFi module
		1*M.2/5G, Key-B, 2242/52, support 5G module
OS Support	Windows	Windows 10
	Linux	Ubuntu
	Watch Dog	Support hardware reset function (L256, 0~255 seconds)
Power Supply	Power Type	External power supply
	Voltage Input	9V~36V
	Rate Consumption	60W~180W
Environment	Operating Temp.	-10°C ~ 50°C
	Storage Temp.	-20°C ~ 70°C
	Relative Humidity	5%-95% relative humidity, non-condensing
	Vibration	0.5g rms/5-500HZ/random/operating

P1971Y-C6 Dimension



Front View

Back View



Bottom I/O View

Order Information

No.	Model	CPU	Memory	Motherboard	IO Board	GPIO	LAN	COM	HDMI	USB 2.0	USB 3.0	power
1	P1971Y-C6 V1.0(J6412)	J6412/2.00G	2*SODDR4	P641	P1081-C6/P1071-LED	4-in 4-out	2	6	1	2	4	9~36V
2	P1971Y-C6 V1.0(8260U)	I5-8260U/1.6G	2*SODDR4	P81	P1081-C6/P1071-LED	4-in 4-out	2	6	1	2	4	9~36V
3	P1971Y-C6 V1.0(7300U)	I5-7300U/2.6G	2*SODDR4	P67	P1081-C6/P1071-LED	4-in 4-out	2	6	1	2	4	9~36V
4	P1971Y-C6 V1.0(1135G7)	I5-1135G7/2.4G	2*SODDR4	P110	P1081-C6/P1071-LED	4-in 4-out	2	6	1	2	4	9~36V